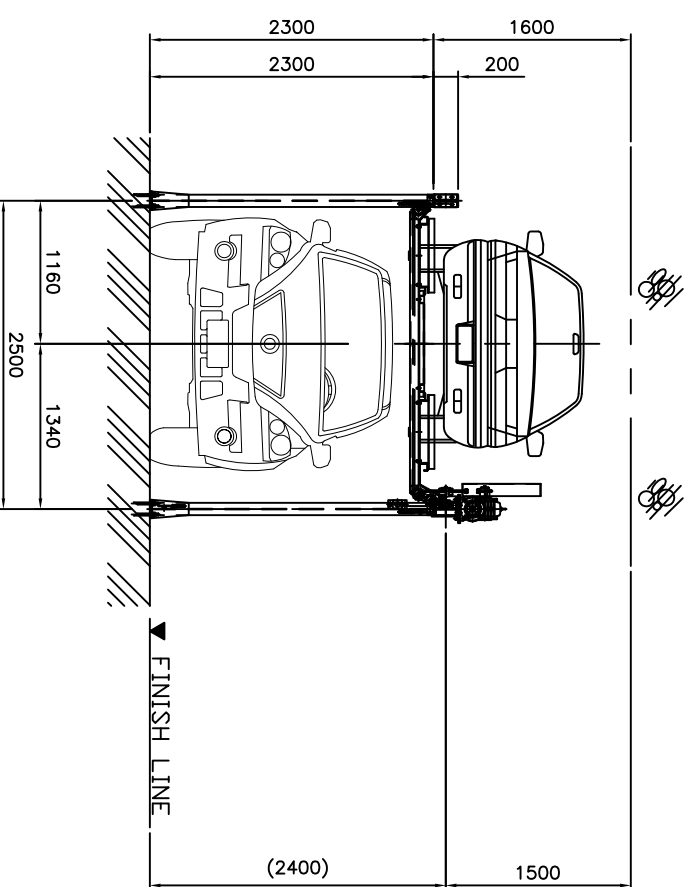
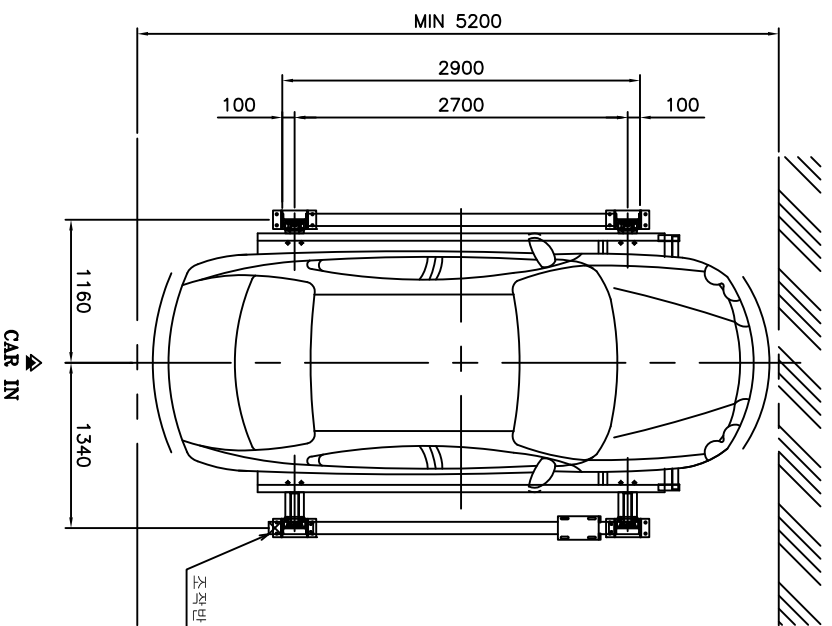
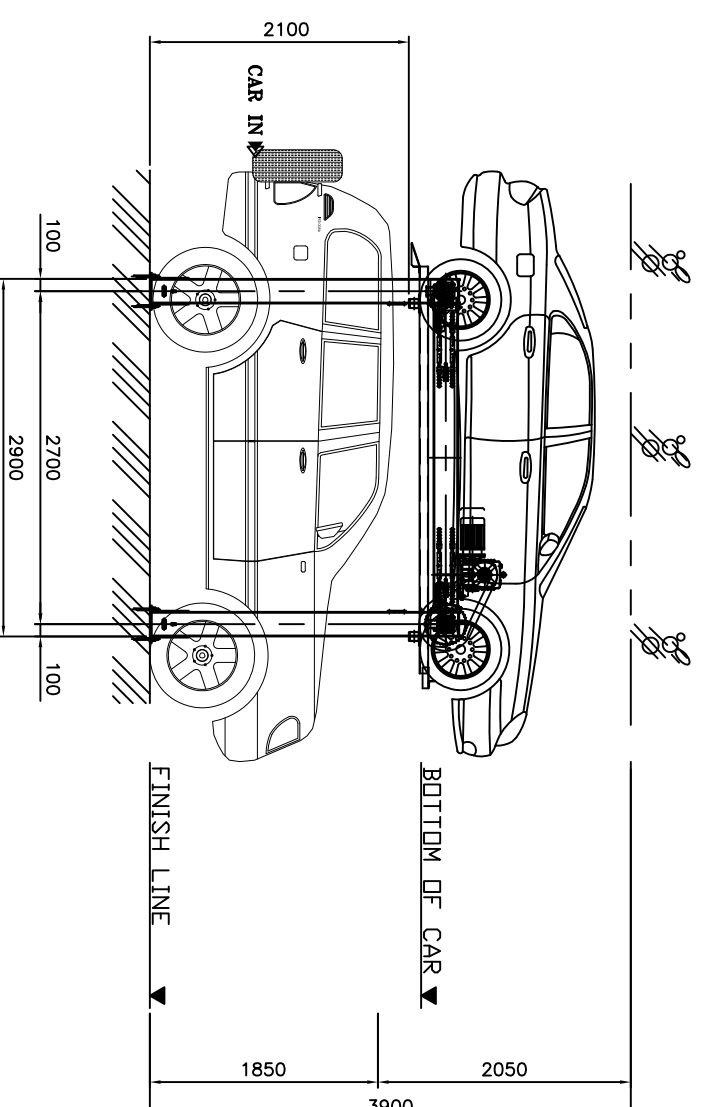


Safety and Speedy Car Parking Systems



SPECIFICATION	
UNIT	4
MODEL NO.	DRS - 2F
CAR'S	2(1/1) CAR'S(SEDAN/SUV)
LIFTING MOTOR	1.5Kw x 4P
TYPE	CHAIN
LIFTING SPEED	MAX. 2.5 M/MIN
CONTROL	TEN KEY (P. L. C)
POWER	380Vx50Hz

1ST LEVEL	SEDAN
LENGTH (MM)	4950
WIDTH (MM)	1870 (WITH MIRROR 2100)
HEIGHT (MM)	1550
WEIGHT (KG)	MAX. 2100
GROUND LEVEL	SUV
LENGTH (MM)	4950
WIDTH (MM)	1870 (WITH MIRROR 2100)
HEIGHT (MM)	1950
WEIGHT (KG)	MAX. 2200



NOTE

DRS DAEWOO ROYAL SYSTEM CO.,LTD
car parking system

SCALE	A3 1 / 60	PROJECT	SUNNY TOWER	DWG. NO.	P-07
DATE	OCT.2011	DWG.NAME	UNIT 4 - 2F LAYOUT	NO.	8